

RT Series 6 Foot Wheelchair Accessible Recycled Plastic Rectangular Table



*Model RT/W-6A/E 6 ft. Accessible Recycled Plastic Rectangular Table
with Brown end frames and Gray Top and Seat Planks*

- **Molded 100% Recycled Plastic Legs**
- **100% Recycled Plastic Seat and Top Planks**
- **Solid color throughout plastic and U.V. stabilizer for ultraviolet protection**
- **Pregalvanized steel channel reinforcements under seats and table top**
- **Quality construction throughout**

SPECIFICATIONS:

- **RT Series** table end frames are molded of 100% recycled plastic in 3" thick profiles and is predrilled to mount seat angles, top angles and diagonal braces. Tables provides a nom. seat height of 17-1/2" and nom. table top height of 30".
- Table top and seats are supported by pregalvanized steel subframe channels. Table is supported by diagonal braces of 1-5/16" O.D. galvanized steel pipe that connect to a die-formed steel channel designed to align and provide attachment to the table top.
- Table top extends 2 ft. beyond seats to provide the ADA recommended wheelchair clearances of: 30" wide, 27" under table (ground to bottom of table top), and 24" total knee and toe clearance (19" + 5") at both ends. A diagonal brace of 1-5/16" O.D., hot-dip galvanized, steel pipe and a die-formed steel channel is provided to support extended portions of table top and maintain planks against warping. A pregalvanized steel end cap on extended end of table top is included to keep ends of planks aligned.
- **Model RT/W-6/E** shall have a nominal seat length of 72" and a nominal table top length of 96".
- All fasteners are provided for assembly.
- **Standard:** End frames are made of 3" thick 100% Recycled Plastic with solid Brown color (indicated by "/W" following RT in model no., e.g. RT/W-6C/E) formed throughout and a U.V. stabilizer added for ultra-violet protection.
- **Standard:** Tops and seats are made of 100% Recycled Plastic molded into 2" x 10" nominal sized planks with solid Cedar colored (indicated by "C" in model no., e.g. RT/W-6C/E) formed throughout and a U.V. stabilizer added for ultra-violet protection.
- **Optional:** Color choices of Recycled Plastic components. For optional colors choices see Specification Bulletin #SPC-CO-001.

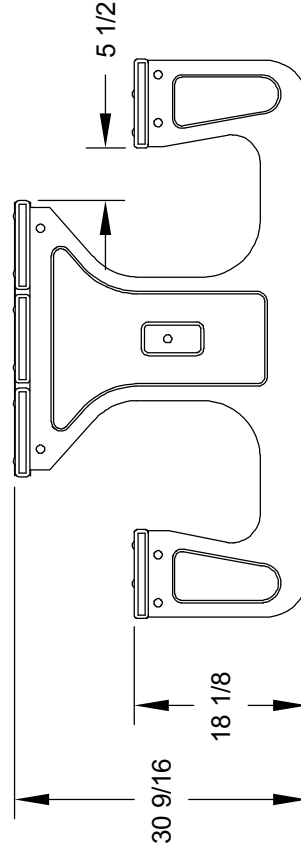
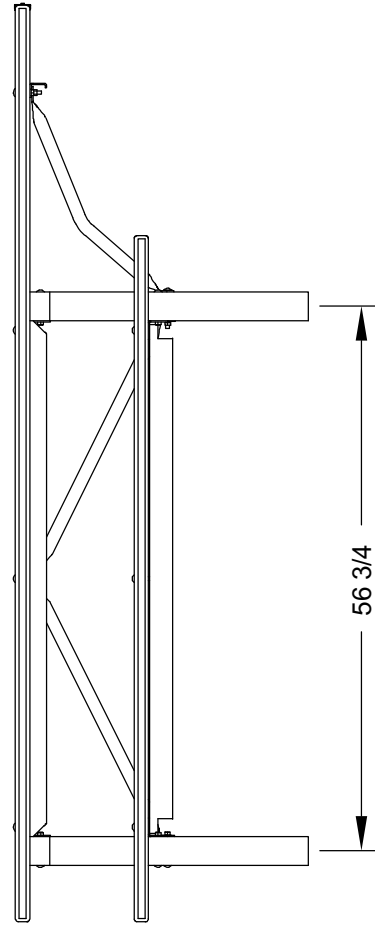
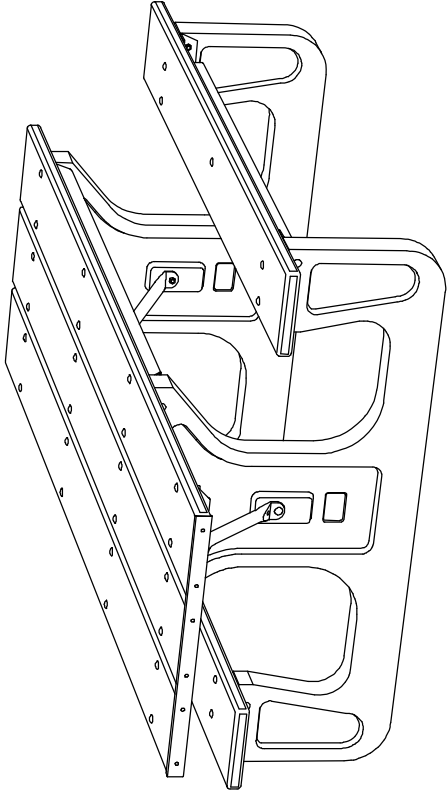
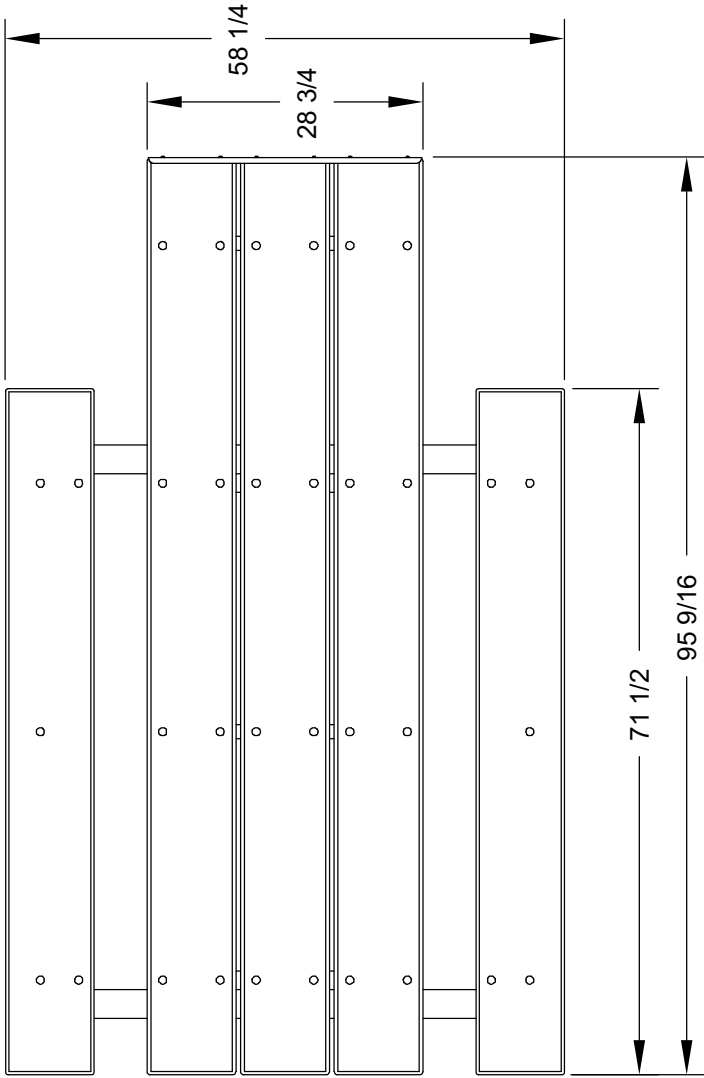
AVAILABLE OPTIONS

Choice of colors of Recycled Plastic
Custom Lettering and Plaques available (call for details)

RJThomas Mfg. Co., Inc.

PO Box 946 • Cherokee, IA 51012-0946 • PH: 712-225-5115 • 800-762-5002 • FAX: 712-225-5796
E-mail: pilotrock@rjthomas.com • Web Site: <http://www.pilotrock.com>

© 2008 RJThomas Mfg. Co., Inc. PILOT ROCK® Park Products is a registered trademark of RJThomas Mfg. Co., Inc.



ALL DIMENSIONS IN INCHES

RJThomas Mfg. Co., Inc.
 P.O. Box 946 • Cherokee, IA 51012-0946

DRAWN BY
WWM

ALL DIMENSIONS IN INCHES

TITLE **RT SERIES 6 FOOT WHEELCHAIR ACCESSIBLE RECYCLED PLASTIC RECTANGULAR TABLE EXTENDED 2 FOOT ON ONE END**

DATE 11-05-08

DWG. NO. **AI-1718**